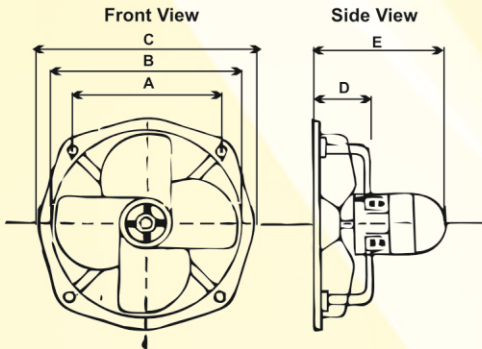




Regd. Trade Mark

ALMONARD

HEAVY DUTY EXHAUST FANS



Totally enclosed, continuously rated motor

Every Almonard Exhaust Fan features a capacitor start and run type motor, continuously rated, totally enclosed and ruggedly built.

Designed specifically for the purpose, the motor has prelubricated double ball bearing and is provided with Class 'A' and 'E' insulation. The end result is a smooth, silent motor that lasts longer and delivers the maximum output at lower operating cost.

Dynamically balanced impeller

The impeller used in an Almonard Exhaust Fan is of the propeller type. And since both hub and impeller are dynamically balanced and frames and arms mounted on rubber bushings, vibrations are virtually eliminated.

Additional Accessories

Accessories such as Louver Shutter, Wall Cowl, Wire Guard etc are also available as an extra feature to our Fans on request at Extra Cost

SPECIFICATION

FAN DIA mm/INCHES	SPEED RPM	INPUT POWER WATTS	CURRENT PHASE AMPS	MAX FREE AIR DEL. M3/HR CFM	SOUND LEVEL dB
300/12" H/D	1400	90	SINGLE 0.43	1710 1006	50-55
300/12" H/D	900	55	SINGLE 0.26	1145 674	35-40
380/15" H/D	1400	160	SINGLE 0.77	3250 1912	60-45
380/15" H/D	1400	160	THREE 0.35	3250 1912	60-65
380/15" H/D	900	100	SINGLE 0.48	2000 1177	50-55
380/15" H/D	900	100	THREE 0.22	2000 1177	50-55
450/18" H/D	1400	410	SINGLE 1.98	6120 3602	65-70
450/18" H/D	1400	360	THREE 0.65	6120 3602	65-70
450/18" H/D	900	145	SINGLE 0.70	3900 2295	55-60
450/18" H/D	900	145	THREE 0.33	3900 2295	55-60
600/24" H/D	700	255	SINGLE 1.23	7100 4178	55-60
600/24" H/D	700	255	THREE 0.56	7100 4178	55-60
600/24" H/D	900	550	SINGLE 2.65	9400 5532	60-65
600/24" H/D	900	500	THREE 0.85	9400 5532	60-65
750/30" H/D	900	880	SINGLE 4.00	16000 9417	70-75
750/30" H/D	900	800	THREE 1.80	16000 9417	70-75
900/36" H/D	700	1200	THREE 2.40	25200 14832	75-80
AIR VENT EXHAUST FAN					
230/9" H/D	1400	45	SINGLE 0.21	850 500	25-30
300/12" H/D	1350	75	SINGLE 0.35	1400 825	40-45



IMPELLER DIA	A	B	C	D	E	NET WEIGHT
INCHES	mm.	mm.	mm.	mm.	mm.	KG.
12"	300	312	325	383	140	5.30
15"	380	377	404	467	140	6.90
18"	450	452	485	550	150	10.02
24"	600	600	630	725	200	21.00
30"	750	738	786	889	220	32.260

NOTE - Design, Specifications and Technical Characteristics are subject to change without notice.

ALMONARD PRIVATE LIMITED

CIN: U29300MH1968PTC014071



Regd. Trade Mark

Mumbai Head Office :

305, Kakad Chambers, 3rd Floor, 132, Dr. Annie Besant Road, Worli, Mumbai-400018. Website: www.almonard.co.in
Tel.: 022-69823333 / 022-6982 3300 To 022-6982 3399
E-mail: almonardconnect@gmail.com
salesalmonard@gmail.com

VADODARA Works :

852/2 & 853/1 GIDC, Makarpura, Vadodara, Gujarat - 390010.
M: 95372 21118
E-mail: almonardfan10@yahoo.com

CHENNAI Off. & Works :

439/3A & 3B, Ekambara Naicker Industrial Estate, Off Arcot Road, Alapakkam, Porur, Chennai-600 116.
Tel.: 044-2476 2100, 2476 2030, 2476 1424 -
Fax: 044-2476 2627
E-mail: almpcd@gmail.com, almdomsales@gmail.com

PUNE:

Leelashree, Plot No. 32, Ground Floor, Anandbaug Soc., ISI Blood Bank Lane, Navi Peth, Pune-411 030.
M: 9822018708

BHUBANESHWAR:

Plot No. 3574/5486, At - Palasuni Hat, Canal Road, PO G.G.P. Bhubaneswar - 751 025.
Tel: 0674-2371157/0674-2370056

BANGALORE:

315C, P&J Compound, 14th Cross, Sunkadakatte, Magadi Main Road, Bangalore-560091
Tel: 080-23281991/23281989/23583065

NAGPUR:

Venkatesh Apartment, 193, Trimurtinagar, Square Ring Road, Nagpur - 440 022.
Tel: 0712-223 6822

HYDERABAD:

5-5-33/23C, Prashanti Nagar, Kukatpally, Hyderabad - 500 072.
Tel: 040-23070199/23070198

HUBLI:

N-25, 1st Gate Industrial Estate, Gokul Road, Hubli-580 030.
Tel: 0836-2237959/2970429

AHMEDABAD:

306 & 307, Videocon Arizona, Near Nav Gujarat College, Opp. Gujarat Vidhyapith, Income Tax, Ashram Rd, Ahmedabad 380 013.
Tel: 079-27542034 / 27542024

VIJAYAWADA:

D. No. 1-4-290-A, R.T.C. Workshop Road, Bhavanipuram, Vijayawada - 520 012.

INDORE:

Patwari Halka No. 17, Survey No. 3/01 Goyal Compound, T.T. Nagar, Pipliya Kumar, Dewas Naka, Indore (M.P.) Pin-452010
Tel.: 0731-4955450

SURAT:

ORBIT-1, 502, 5th Floor, Puna-Saroli BRTS Junction, Canal Corridor, Punagam, Surat 394 210.
M:8980628560/9723966440

VISAKHAPATNAM:

D. No. 46-19-12, Mandavari Peta, Behind Big Bazar, Dwarkanagar, Visakhapatnam - 530 016 (AP)
Tel: 0891-2765826/2707964

DELHI:

Plot No. 420, 2nd Floor, Functional Ind. Estate, Patparganj Industrial Area, Delhi - 110 092.
Tel: 011-41403002/43021640

COCHIN:

D.No.43/2526,27, SRM Road Ernakulam North P.O., Cochin-682018
Tel: 0484-2405160

MADURAI:

7A, Rathinasamy Nadar Road, Chokkikulam, Madurai - 625 002.
Tel: 0452-2533808/0452-2520303

JAIPUR:

Plot No. C-110, C-113 & C-114, Road No. 9C, Vishwakarma Ind. Area, Jaipur, Rajasthan-302013.
Tel: 0141-4114073/4062759

CALICUT:

23/12134, 1214, 12144, 12148, Mini Bypass Road, Thiruvannur P.O. Calicut-673029
M: 94963 22709

COIMBATORE:

515, Sathy Road, Lakshmi Puram, Ganapathy, Coimbatore-641 006.
Tel: 0422 2521810/1811/1812

KANPUR:

128/94, Pashupati Nagar, Behind Upasana Guest House, Yashoda Nagar, Bypass Chauraha, Kanpur-208011. Tel.: 0512-2986634

LUDHIANA: 4384, Block No. 30, Street No. 01, Kirti Nagar, Near Vardhman Mill, Chandigarh Road, Ludhiana-141010. M: 086997 41604

AN ISO 9001-2015 CERTIFIED COMPANY