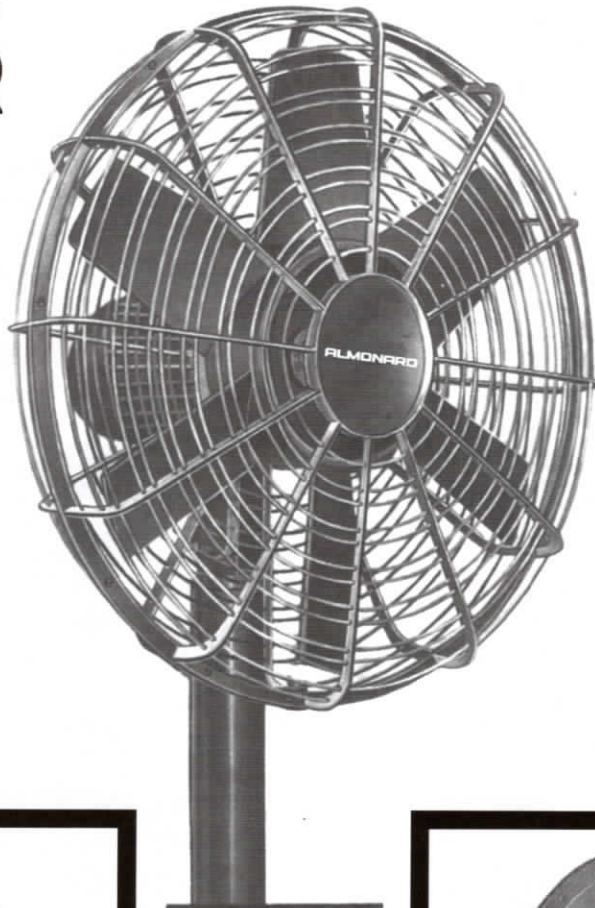


# ALMONARD

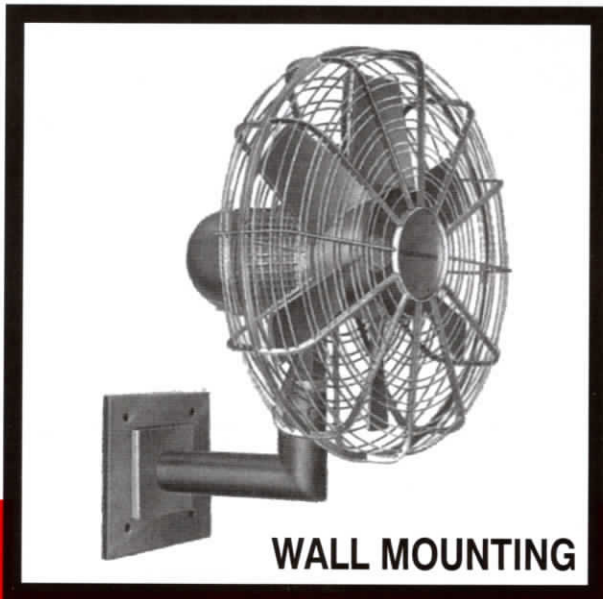
## INDUSTRIAL MANCOOLER



PEDESTAL



REGD. TRADE MARK



WALL MOUNTING



TUBULAR

Proven Performance  
QUALITY • DEPENDABILITY • RELIABILITY

'ALMONARD' has included Mancooler in its product range to facilitate the shop floor in the industries to provide a better environment for their employees which in turn results by the increase in production.

'ALMONARD' Mancoolers are designed for large Air Volume discharge with high velocity and for long distance sweep.

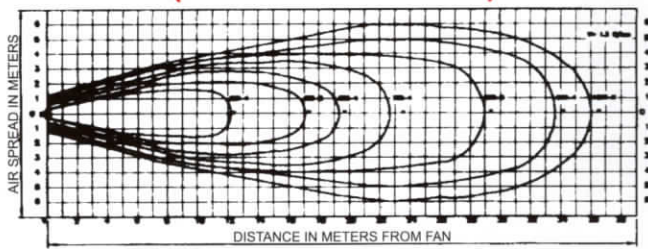
'ALMONARD' Mancoolers can be used in various applications such as Arc furnaces, Drier Annealing furnaces, cooling the electrical equipments, for general comfort and proper ventilation in the shop floors.

'ALMONARD' Mancoolers are available in three types: Wallmounting or Bracket, Pedestal and Tubular type.

### WALLMOUNTING OR BRACKET TYPE

The Wallmounting Mancoolers are suitable for mounting at higher elevation in the wall or stantion to avoid the occupation of floor

### AIR VELOCITY AND TRAVEL DIAGRAM (FOR MANCOOLERS)



### TECHNICAL SPECIFICATION FOR INDUSTRIAL HEAVY DUTY TYPE MAN COOLER

Sweep mm/inches	H.P.	RPM	Total air delivery 10 times blade sweep (M <sup>3</sup> /Hr.)	MINIMUM PEAK AIR VELOCITY AT A DISTANCE OF	
				10 times blade sweep (M.min.)	15 times blade sweep (M.min.)
450 (18")	0.5	1370	12000	200	150
450 (18")	2.0	2810	24000	250	200
600 (24")	0.75	1400	28000	250	150
750 (30")	2.0	1400	37500	250	150
900 (36")	2.0	920	56000	250	150
900 (36")	3.0	1400	65000	275	175
1200 (48")	7.5	950	74500	250	150

1. Motors are generally available for 415V, 3 Phase, 50Hz, AC supply.
2. Performance figures conform to IS 6272 with tolerances mentioned therein.
3. Specifications are subject to change without notice due to continuous development and innovation.

space. These fans are mounted on steel pipe with suitable holes in the base plates for heavy duty Motors.

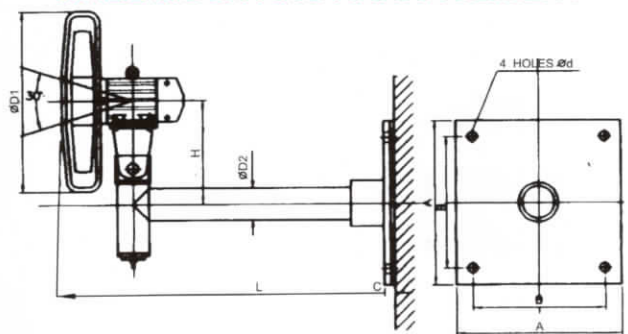
### PEDESTAL TYPE

These type Mancoolers are designed to stand on the shop floors. The cast aluminium alloy, statically and dynamically balanced impeller of high efficiency Aerofoil Section blade is mounted directly on the motor shaft with suitable, sturdy protection guards and mounted on the steel pipe with motor base plate. The cast iron solid base holds the assembly on the floor free from Vibration. The Air throw can be adjusted vertically for various positions. Castor wheels can be provided for the special application on specific request.

### TUBULAR TYPE

In this type of Mancoolers, the impeller and Motor Assembly is mounted in the circular casing with suitable stand arrangement. This can be moved from place to place easily even in rough floor areas. The Air flow can be adjusted vertically for any convenient Position. Necessary protection guards are also provided on both sides of the casing.

### WALL MOUNTING ARRANGEMENT



TYPE	SIZE mm/inch	A	B	C	Ø D1	Ø D2	L	H	Ø d
WMC-45	450/18"	250	200	16	500	48	600	250	15
WMC-60	600/24"	250	200	16	650	48	600	250	15
WMC-75	750/30"	265	200	16	800	76	560	260	15
WMC-90	900/36"	265	200	16	950	76	560	272	15



REGD. TRADE MARK

## ALMONARD PRIVATE LIMITED

CIN : U29300MH1968PTC014071

305, Kakad Chambers, 3rd Floor, 132, Dr. Annie Besant Road, Worli, Mumbai-400018. • Website : www.almonard.co.in  
 Tel. : 022-2492 6552, 2490 3463, 2490 2269, 2490 3094 • E-mail : almonardconnect@gmail.com • salesalmonard@gmail.com  
**VADODARA Works** : 852/2 & 853/1 GIDC, Makarpura, Vadodara, Gujarat - 390010. • M : 95372 21118 • E-mail : almonardfan10@yahoo.com  
**CHENNAI Off. & Works** : 439/3A & 3B, Ekambara Naicker Industrial Estate, Off Arcot Road, Alapakkam, Porur, Chennai-600 116.  
 Tel. : 044-2476 2100, 2476 2030, 2476 1424 • Fax : 044-2476 2627 • E-mail : almpcd@gmail.com, almdomsales@gmail.com

<b>PUNE :</b> Leelashree, Plot No. 32, Ground Floor, Anandbaug Soc., ISI Blood Bank Lane, Navi Peth, Pune-411 030. M: 9822018708	<b>NAGPUR :</b> Venkatesh Apartment, 193, Trimurtinagar, Square Ring Road, Nagpur - 440 022. Tel: 0712-223 6822	<b>AHMEDABAD :</b> 306 & 307, Videcon Arizona, Near Nav Gujarat College, Opp. Gujarat Vidhyapith, Income Tax, Ashram Rd, Ahmedabad 380 013. Tel: 079-27542034 / 27542024	<b>SURAT :</b> ORBIT-1, 502, 5th Floor, Puna-Sarali BRTS Junction, Canal Corridor, Punaagam, Surat 394 210. M : 8980628560 / 9723966440	<b>COCHIN :</b> D.No. 43/2526, 27, SRM Road Ernakulam North P.O., Cochin - 682 018 Tel : 0484-2405160	<b>CALICUT :</b> 23/1213A, 1214, 1214A, 1214B, Mini Bypass Road, Thiruvannur P.O. Calicut-673029 M : 94963 22709
<b>BHUBANESHWAR :</b> Plot No. 3574/5486, At - Palasuni Hat, Canal Road, PO G.G.P. Bhubaneswar - 751 025. Tel: 0674-2371157 / 0674-2370056	<b>HYDERABAD :</b> 5-5-33/23C, Prashanti Nagar, Kukatpally, Hyderabad - 500 072. Tel : 040-23070199 / 23070198	<b>VIJAYAWADA :</b> D. No. 1-4-290-A, R.T.C. Workshop Road, Bhavanipuram, Vijayawada - 520 012. Tel: 0866-2416046 Telefax: 0866-2561946	<b>VISAKHAPATNAM :</b> D. No. 46-19-12, Mandavari Peta, Behind Big Bazar, Dwarkanagar, Visakhapatnam - 530 016 (A.P.) Tel: 0891-2765826 / 2707964	<b>MADURAI :</b> 7A, Rathinasamy Nadar Road, Chokkikulam, Madurai - 625 002. Tel : 0452-2533808/0452-2520303	<b>COIMBATORE :</b> 515, Sathy Road, Lakshmi Puram, Ganapathy, Coimbatore-641 006. Tel : 0422 2521810/1811/1812
<b>BANGALORE :</b> 315C, P&J Compound, 14th Cross, Sunkadkatte, Magadi Main Road, Bangalore-560091 Tel : 080-23281991 / 23281989 / 23583065	<b>HUBLI :</b> N-25, 1st Gate Industrial Estate, Gokul Road, Hubli - 580 030. Tel : 0836-2237959/2970429	<b>INDORE :</b> Patwari Halka No. 17, Survey No. 3/01 Goyal Compound, T.T. Nagar, Pipliya Kumar, Dewas Naka, Indore (M.P.) Pin - 452010 Tel : 0731-4955450	<b>DELHI :</b> Plot No. 420, 2nd Floor, Functional Ind. Estate, Patparaganj Industrial Area, Delhi - 110 092. Tel : 011-41403002 / 43021640	<b>JAIPUR :</b> Plot No. C-110, C-113 & C-114, Road No. 9C, Vishwakarma Ind. Area, Jaipur, Rajasthan-302013. Tel: 0141-4114073 / 4062759	<b>KANPUR :</b> 128/94, Pashupati Nagar, Behind Upasana Guest House, Yashoda Nagar, Bypass Chauraha, Kanpur-208011. • Tel.: 0512-2986634

**LUDHIANA :** 4384, Block No. 30, Street No. 01, Kirti Nagar, Near Vardhman Mill, Chandigarh Road, Ludhiana-141010. • M : 086997 41604